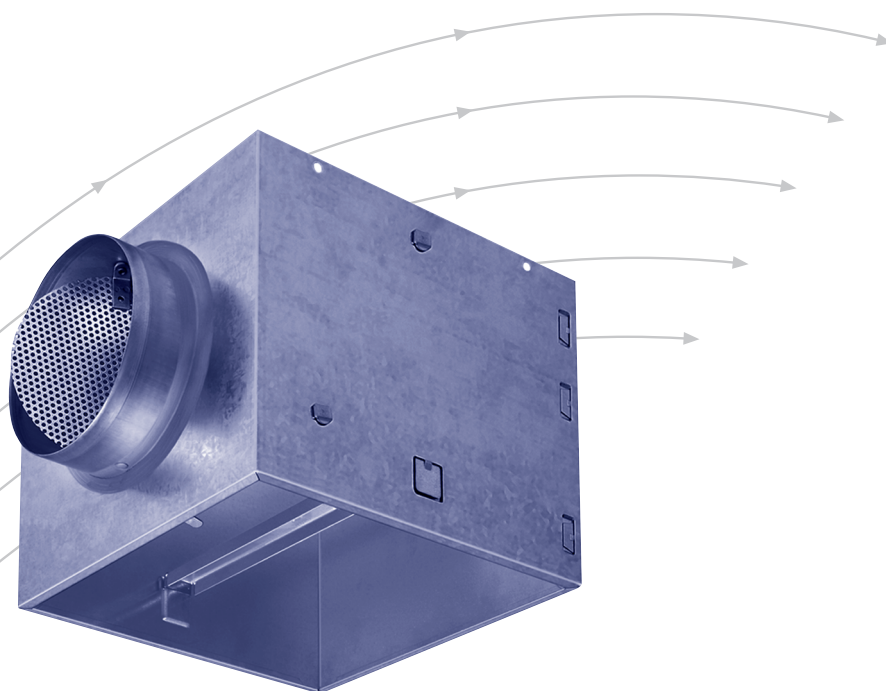


Plenum box

- Type AKH...
- for ceiling panel air diffusers



TROX[®] TECHNIK



The art of handling air

TROX HESCO Schweiz AG
Walderstrasse 125
Postfach 455
CH-8630 Rüti ZH

Tel. +41 55 250 71 11
Fax +41 55 250 73 10
www.troxhesco.ch
info@troxhesco.ch

Contents · Applications · Realisation · Safety instructions · Dimensions

Contents

| | |
|--|---|
| Applications · Realisation · Safety instructions · | |
| Dimensions _____ | 2 |
| Dimensions · Installation _____ | 3 |
| Order details _____ | 4 |

Application

Plenum box type AKH... – low priced and available at short notice – can be incorporated in ceiling panel air diffusers DD, DDQ, DDRQ, PASSCLEAN, CENTERFLOW, WAVEDRALL and PROCONDIF.

It is particularly suitable for supply air and outflow ceiling panel air diffusers.

Please note:

the plenum box does not match for DDQ6 or DDRQ6.

Realisation

The plenum box consists of galvanised steel and a cross bar for the central M6 bolt.

The standard version has a spigot with volume control without lip seal.

The plenum box is easy to install. 4 mounting holes are provided.

Inflow and outflow versions are available. An air distributor is integrated within the supply version.



- 1) with cover panel provided by the owner or TROX HESCO cover panel type ADP... (for visual realisation)

Safety instructions



CAUTION!

Damage to the product due to improper handling. Check the device for damage and contamination prior to operation!

Improper handling may lead to considerable material damage of the product.

- Do not use any acid or abrasive cleaning agents.
- Adhesives from sticky tape may lead to colour damage.
- Excessive moisture may lead to colour damage and corrosion.
- Use only cleaning agents, greases and oils that are expressly specified.



CAUTION!

Risk of injury from sharp edges and corners, ridges and thin-walled sheet metal parts!

- Proceed carefully with all work.
- Wear protective gloves, safety shoes and protective helmet.



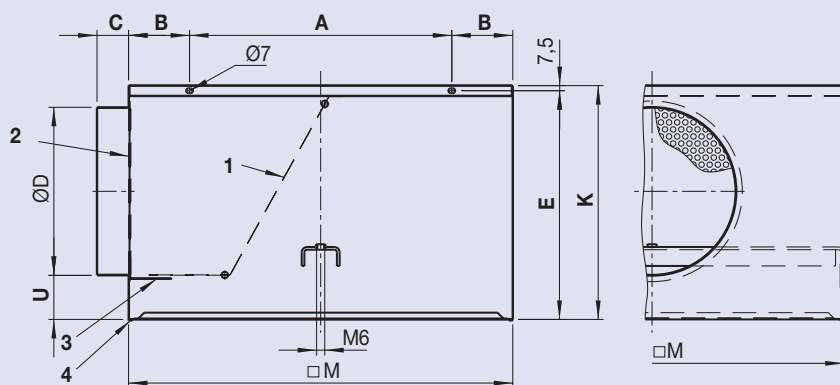
WARNING!

Danger from incorrect use. Misuse of the product may lead to dangerous situations.

The product must not be used:

- in areas subject to explosion hazards;
- in the open air without sufficient protection against weather effects;
- in atmospheres that may have a damaging and/or corrosive effect on the product due to scheduled or unscheduled chemical reactions.

Dimensions



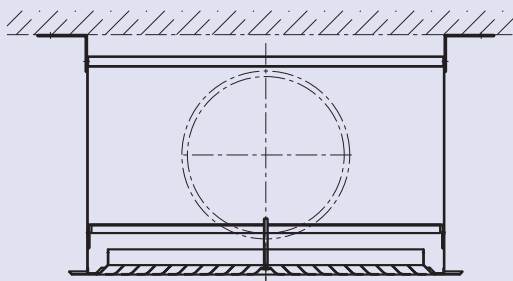
- 1 Air distributor (only with supply air)
- 2 Volume control
- 3 Volume control lever
- 4 Seal supplied loose

Dimensions · Installation

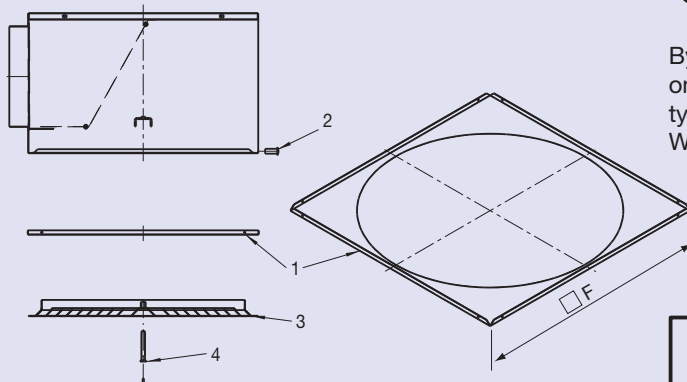
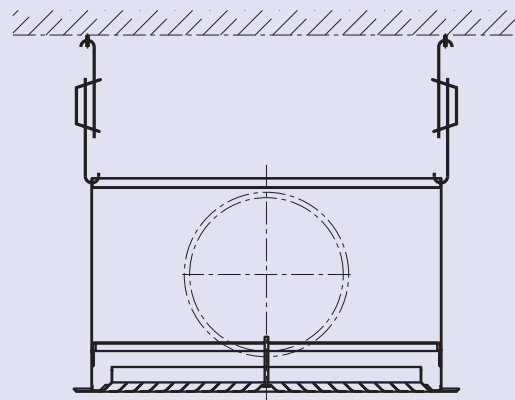
| ND | M [mm] | K [mm] | E (K-7.5) [mm] | ØD [mm] | U [mm] | A [mm] | B [mm] | C [mm] | Weight [kg] |
|-------|-----------|-----------|----------------------|------------|-----------|-----------|-----------|-----------|----------------|
| AKH08 | 216 | 250 | 242.5 | 158 | 60 | 116 | 50 | ~50 | ~2.5 |
| AKH09 | 266 | 250 | 242.5 | 158 | 60 | 166 | 50 | ~50 | ~2.8 |
| AKH01 | 290 | 250 | 242.5 | 158 | 60 | 190 | 50 | ~50 | ~3.5 |
| AKH02 | 372 | 295 | 287.5 | 198 | 65 | 272 | 50 | ~50 | ~4.5 |
| AKH03 | 476 | 295 | 287.5 | 198 | 65 | 296 | 90 | ~50 | ~6.0 |
| AKH04 | 567 | 345 | 337.5 | 248 | 75 | 387 | 90 | ~48 | ~8.1 |

Installation

Plenum box mounted on slotted strip steel
(provided by the owner)



Plenum box suspended on hooks
(provided by the owner)



By visual realisation (that is without a suspended ceiling), one cover panel type ADP... is required for circular types of DDF/DDK, PASSCLEAN, CENTERFLOW and WAVEDRALL.

- 1 Cover panel type ADP... (not fixed)
- 2 Rivets or panel screw (provided by the owner)
- 3 Diffuser
- 4 Central bolt with plug

| Type | ND | □F [mm] |
|-------|-----|------------|
| ADP08 | 150 | 219 |
| ADP09 | 200 | 269 |
| ADP01 | 250 | 293 |
| ADP02 | 300 | 375 |
| ADP03 | 400 | 479 |
| ADP04 | 500 | 571 |

Order details

Order code



Type
Plenum box TROX HESCO

Realisation
Cross beam without extension
to the center

- 08 = 216 × 250 × 1D160
- 09 = 266 × 250 × 1D160
- 01 = 290 × 250 × 1D160
- 02 = 372 × 295 × 1D200
- 03 = 476 × 295 × 1D200
- 04 = 567 × 345 × 1D250

- M0 = with volume control,
without lip seal (standard)
- ML = Spigot D 250
with volume control, with lip seal
- 00 = Spigot D 250
without volume control, without lip seal
- 0L = Spigot D 250
without volume control, with lip seal

- ZL = supply air
- AL = extract air

Order examples

- 30 off AKH04ZLM0
- 30 off ADP04
- 15 off AKH02ZLML

Text for tendering purposes

Standard plenum box AKH... of galvanised steel, with integrated cross bar for the M6 central screw, for quick and simple installation of the ceiling panel air diffuser. A spigot with volume control damper for connecting a spiral tube or hose is included; the inlet box also contains an air distributor element.

Options

- Cover plate ADP.. for exposed box installation (without suspended ceiling) and for air diffuser circular

Technical data marked in the documents of each ceiling air diffuser.