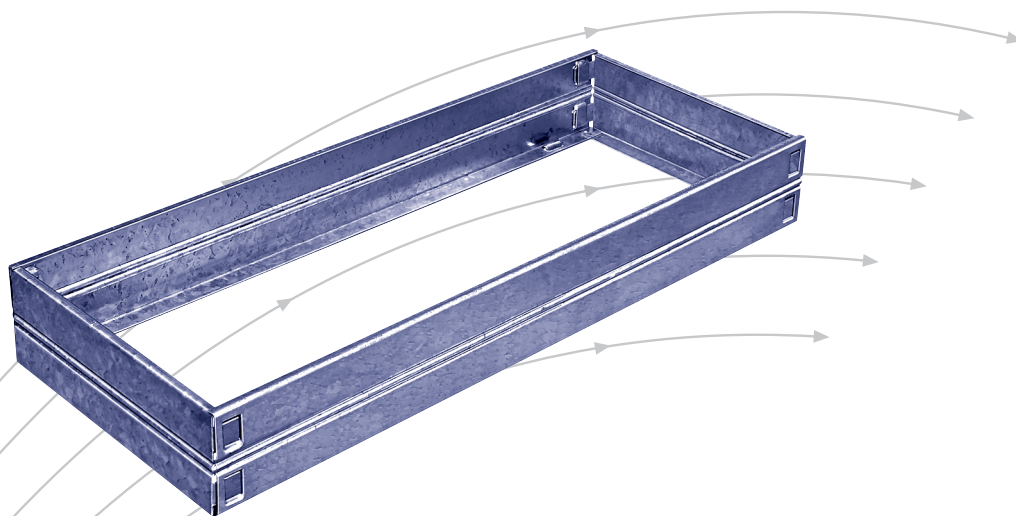


Masonry frame for diffusion grilles

Type MRDG



TROX® **TECHNIK**



TROX HESCO Schweiz AG
Walderstrasse 125
Postfach 455
CH - 8630 Rüti ZH

Tel. +41 55 250 71 11
Fax +41 55 250 73 10
www.troxhesco.ch
info@troxhesco.ch

Contents

Application · Realisation · Safety instructions	2
Dimensions	3
Order details	4

Application

Wherever it is impossible to screw TROX HESCO diffusion grilles to sheet metal ducts, experience has proved that it is advantageous to mount them on appropriate masonry frames. The elongated bolt holes facilitate assembly work. The ventilation mechanic can mount the diffusion grilles on the masonry frames installed by the plasterer rapidly and efficiently. The same masonry frame can also be used for screwless mounting of the diffusion grilles.

Realisation

Profiled frame of galvanized iron. The masonry frame will be sent as set for fitting with an insertion instruction. Masonry frames already mounted are available with extra costs.

Safety instructions



CAUTION!

Risk of injury from sharp edges and corners, ridges and thin-walled sheet metal parts!

- Proceed carefully with all work.
- Wear protective gloves, safety shoes and protective helmet.



WARNING!

Danger from incorrect use. Misuse of the product may lead to dangerous situations.

The product must not be used:

- in areas subject to explosion hazards;
- in the open air without sufficient protection against weather effects;
- in atmospheres that may have a damaging and/or corrosive effect on the product due to scheduled or unscheduled chemical reactions.



CAUTION!

Damage to the product due to improper handling. Check the device for damage and contamination prior to operation!

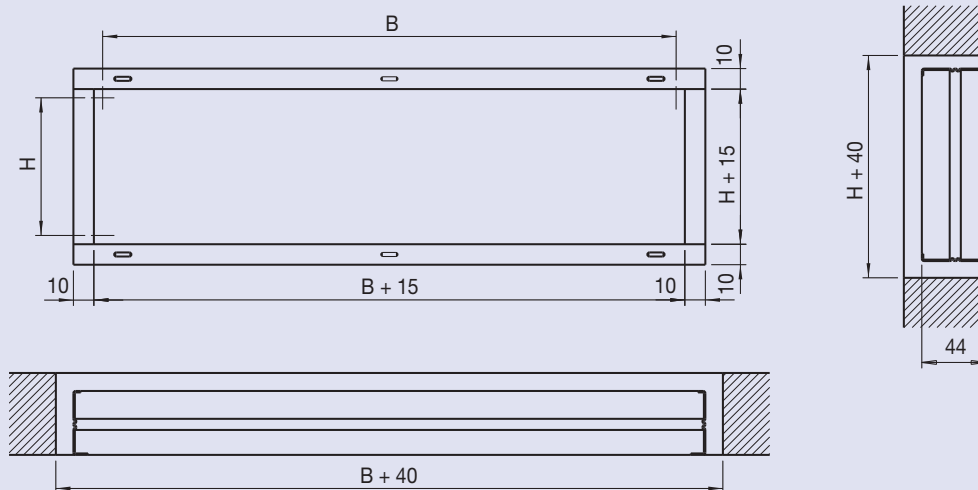
Improper handling may lead to considerable material damage of the product.

- Do not use any acid or abrasive cleaning agents.
- Adhesives from sticky tape may lead to colour damage.
- Excessive moisture may lead to colour damage and corrosion.
- Use only cleaning agents, greases and oils that are expressly specified.

Dimensions

- Assortment
- Nominal dimensions of the grilles
(Nominal width B × nominal height H)

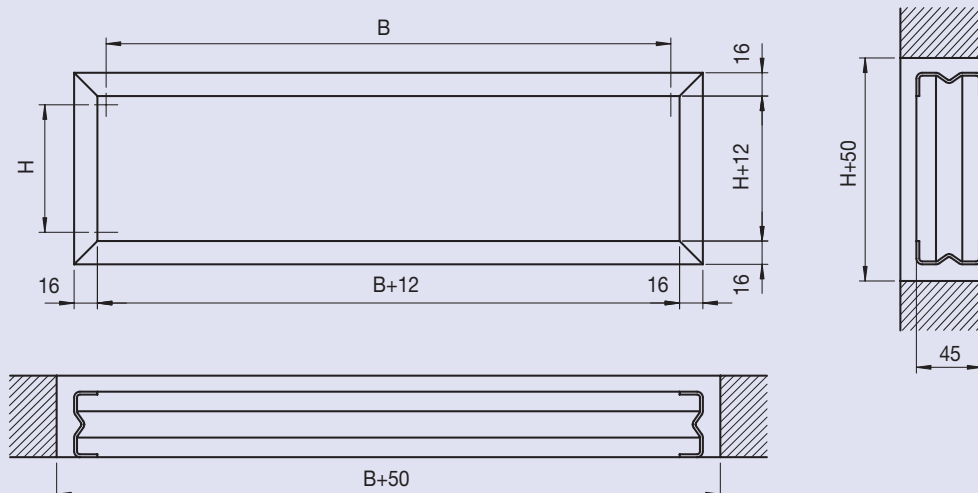
Nom. width B [mm]	Nominal height H [mm]					
	50	100	150	200	250	300
200	50	100				
250	-	100				
300	50	100	150			
400	50	100	150	200		
500	50	100	150	200		
600	50	100	150	200	250	300
750	50	100	150	200	250	-
900	-	100	150	200	250	300



Special execution

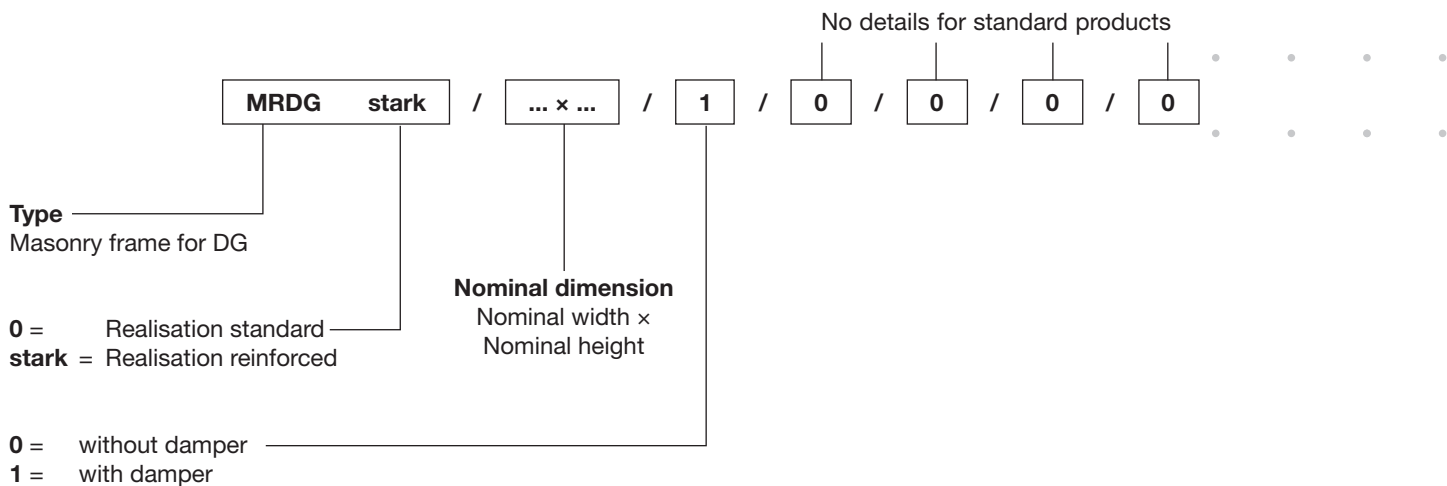
Reinforced masonry frame

(Standard by dimensions $B > 900$ mm and $H > 300$ mm)



Order details

Order codes



Order examples

- 15 off MRDGstark / 900×100
- 20 off MRDG / 400×200 / 1