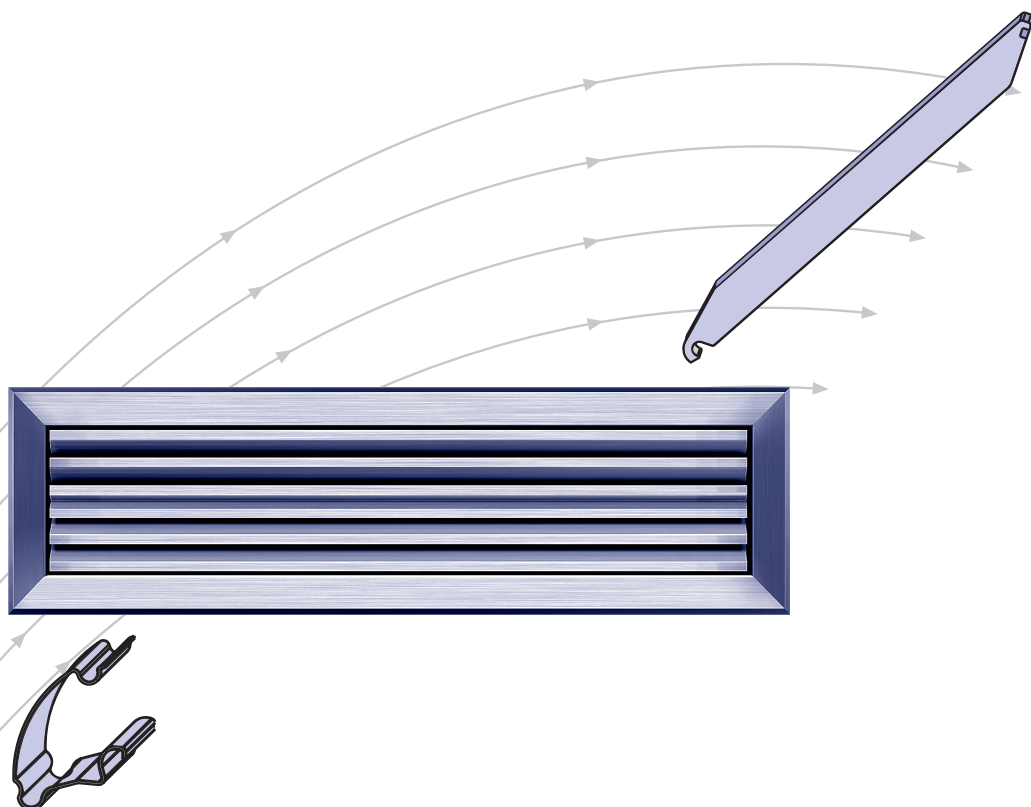


Linear ceiling diffusers

- Type LDD and LDDL
- Installation description



TROX[®] TECHNIK



TROX HESCO Schweiz AG
Walderstrasse 125
Postfach 455
CH - 8630 Rüti ZH

Tel. +41 55 250 71 11
Fax +41 55 250 73 10
www.troxhesco.ch
info@troxhesco.ch

Safety instructions · Installation

Safety instructions

CAUTION!

Damage to the product due to improper handling. Check the device for damage and contamination prior to operation!

Improper handling may lead to considerable material damage of the product.

- Do not use any acid or abrasive cleaning agents.
- Adhesives from sticky tape may lead to colour damage.
- Excessive moisture may lead to colour damage and corrosion.
- Use only cleaning agents, greases and oils that are expressly specified.

CAUTION!

Risk of injury from sharp edges and corners, ridges and thin-walled sheet metal parts!

- Proceed carefully with all work.
- Wear protective gloves, safety shoes and protective helmet.

WARNING!

Danger from incorrect use. Misuse of the product may lead to dangerous situations.

The product must not be used:

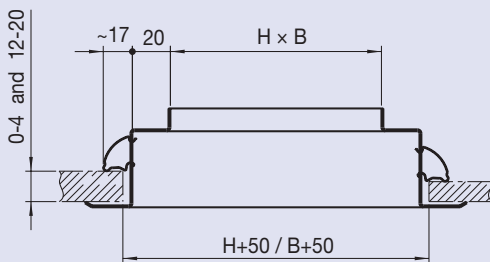
- in areas subject to explosion hazards;
- in the open air without sufficient protection against weather effects;
- in atmospheres that may have a damaging and/or corrosive effect on the product due to scheduled or unscheduled chemical reactions.

A Angular frames, individual diffusers, continuous diffusers

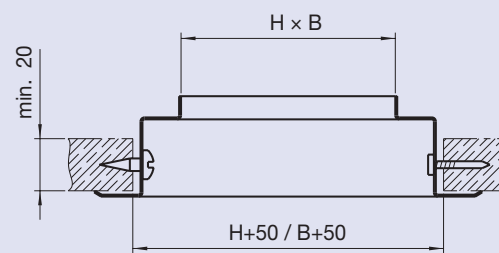
Equipment of the angular frames with a screwless, invisible attachment system provides very simple mounting (patent pending). Clamping thickness ranges from 0 - 4 mm to 12 until 20 mm. The diffusers can thus be mounted on the duct or directly into the ceiling plates. A masonry frame is required for brick, concrete, or plaster ceilings.

If the holding spring cannot be used, the angular frame is attached to the ceiling with screws or pins. The required holes in the angular frame are provided. This type of attachment is also completely invisible after assembly of the blade grating.

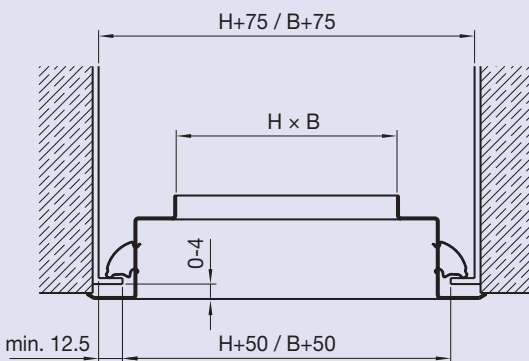
Ceiling plate mounting



Screws or pins

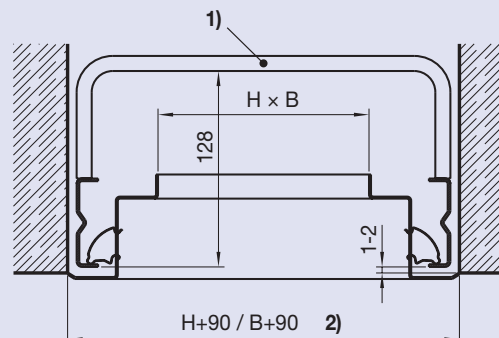


Duct mounting



Flange longitudinal only

Masonry frame mounting

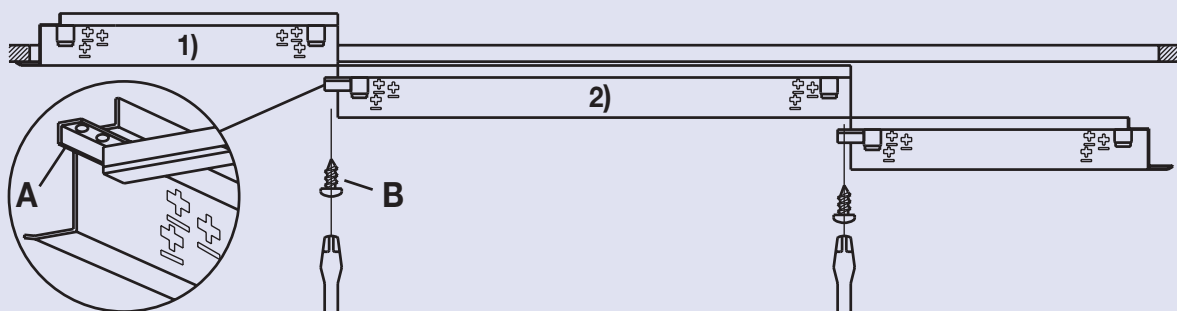


- 1) Bow only by the continuous diffusers
- 2) Recess in masonry = external dimension of LDD

B End-to-end joining for continuous diffusers

The units are combined into continuous diffusers according to the following pattern:

1. Insert end unit **1)** **without** connecting angle **A** and fix in the recess (see overleaf).
2. Adjoin unit **2)** **with** connecting angle **A** according to pattern and fix it in the recess
3. Insert and tighten screw **B**.
4. Assemble all other units and the end unit according to **2.** and **3.**

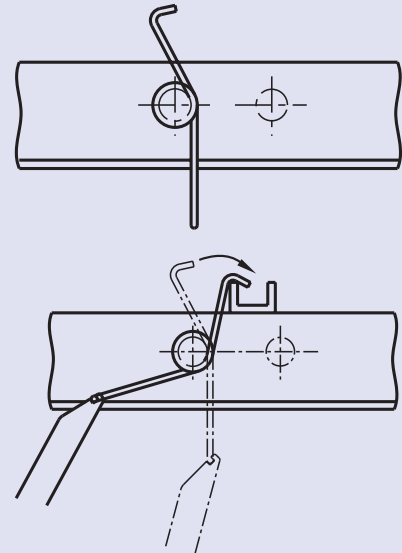


C Blade grating

Assembly of the blade grating to the frame is also very simple. The same mounting tools are required as for the angular frame holding spring. The attachment system is invisible.

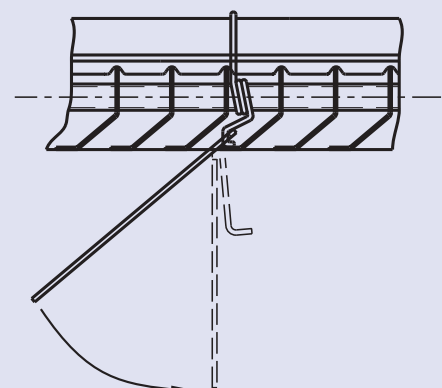
Mounting

1. Position spring hook perpendicular to blades
2. Place grating in angular frame
3. Apply light pressure to blade grating and pivot spring hook with mounting tool behind blades
4. Secure spring hook (by moving the spring hook under the blades)



Dismantling

1. Position spring hook perpendicular to blades
2. Insert mounting tool between blade and spring hook (use one hand to press blade grating into angular frame)
2. Pivot mounting tool toward outside (spring hook pops out)
3. Position spring hook perpendicular to blades
4. Remove blade grating



Plenum box

Application

Plenum boxes are used, where the TROX HESCO linear ceiling diffusers cannot be built directly into the channel or connecting piece. Normally the plenum boxes are connected by flexible ducts (hoses) with the forward channel.

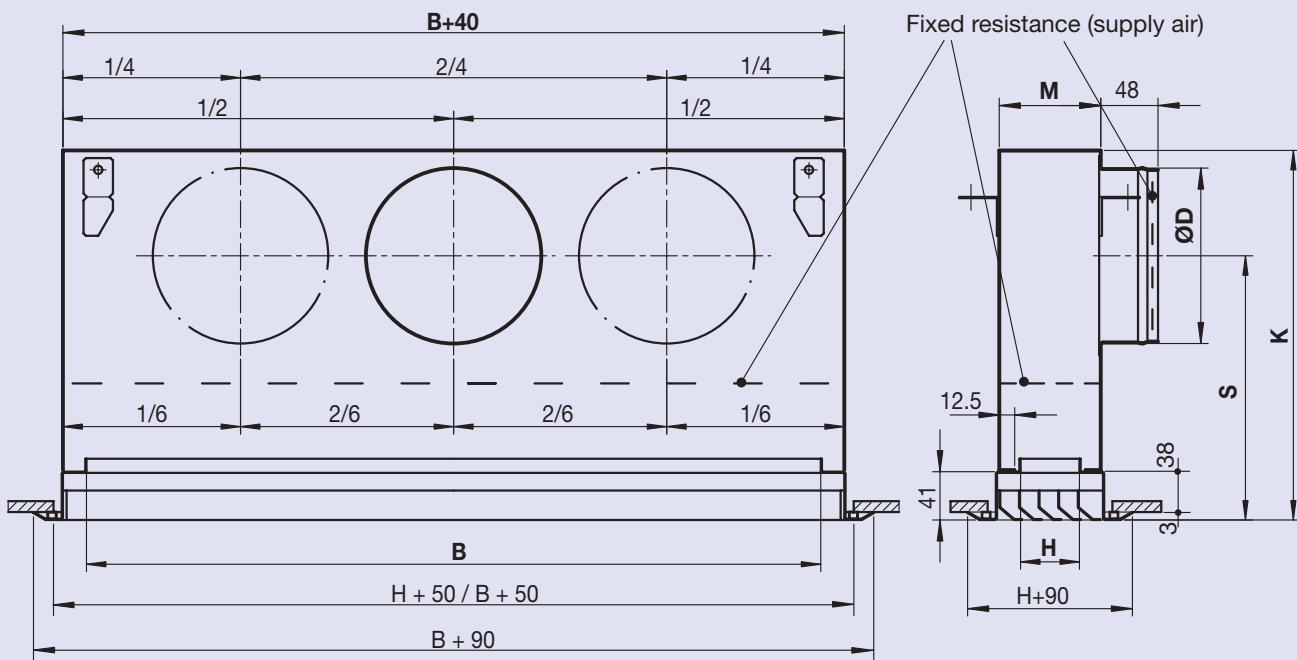
Plenum box with turnings inward*

Type ZK1LDD: for supply air for LDD(L)1 and LDD(L)5P

Type AK1LDD: for extract air for LDD(L)1, LDD(L)6

Execution

The plenum boxes are made of galvanized steel sheet. With the supply air plenum boxes in principle a fixed resistance is inserted. Thus an even air distribution in the passage is reached.



		H = 50		H = 100		H = 150		H = 200		H = 250		* H = 300									
		M = 86		M = 136		M = 186		M = 236		M = 286		M = 336									
B	K	max $\varnothing D$	S	K	max $\varnothing D$	S	K	max $\varnothing D$	S	K	max $\varnothing D$	S	K	max $\varnothing D$	S						
400	311	1 x 149	221	381	1 x 224	252	411	1 x 249	270	411	2 x 249	270	386	2 x 224	258						
500																ev. 2 x 199	295	ev. 3 x 199	280	2 x 249	245
600																ev. 1 x 159	216				
750		2 x 149	221		2 x 224	252		2 x 249	270		2 x 249	270		4 x 224	283	ev. 3 x 249	245	3 x 224	258		
900																				ev. 2 x 159	216
1000		3 x 149	221		ev. 3 x 224	252		ev. 4 x 224	283		4 x 249	245		5 x 249	245						
1250																ev. 2 x 159	216	ev. 3 x 224	252	ev. 4 x 224	283
1500		3 x 149	221		ev. 3 x 224	252		ev. 4 x 224	283		5 x 249	245		6 x 249	245						
1750																ev. 3 x 159	216	ev. 3 x 224	252	ev. 4 x 224	283
2000	ev. 3 x 159	216	ev. 3 x 224	252	ev. 4 x 224	283	5 x 249	245	6 x 249	245											

* Damper type 5P is not available

We reserve the right to make design and shade of colour changes (05/2015)