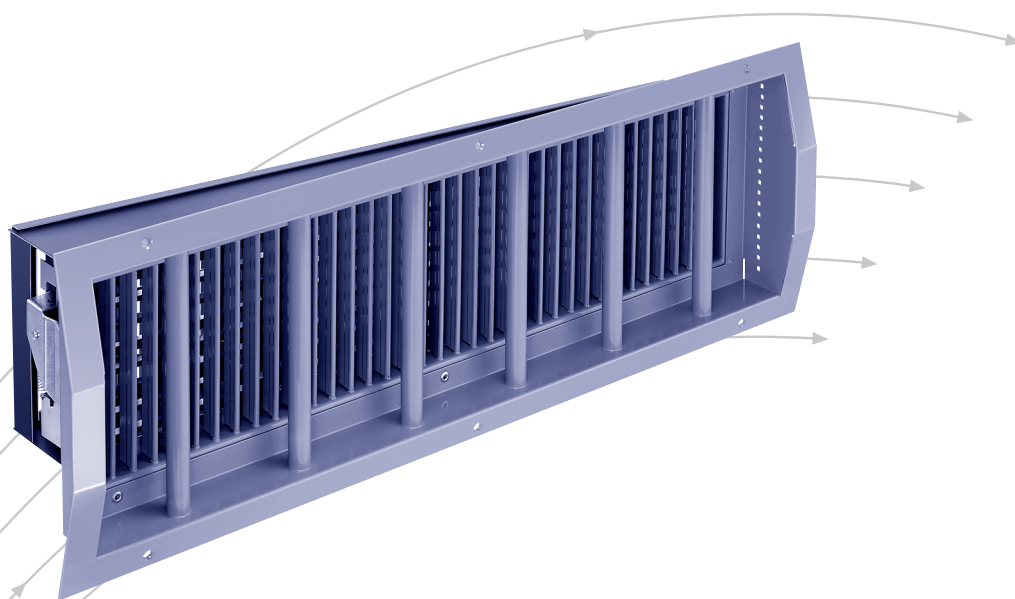


Ball protection grilles

- Type BSDG(L)VAR, BSDG(L)SELF,
- Type BSDGR(A)VAR, BSDGR(A)SELF



TROX[®] TECHNIK



TROX HESCO Schweiz AG
Walderstrasse 125
Postfach 455
CH - 8630 Rüti ZH

Tel. +41 55 250 71 11
Fax +41 55 250 73 10
www.troxhesco.ch
info@troxhesco.ch

Contents · Application · Realisation · Safety instructions · Dimensions

Contents

Application · Realisation · Safety instructions ·	
Dimensions _____	2
Realisation · Dimensions _____	3
Order details _____	4

Application

The ball protection grilles are used as supply or extract air grilles in gymnastics, sports and multipurpose halls. They are protected against ball impacts, i.e. all models have been tested by the official Research and Material Testing Institute for Civil Engineering (Otto Graf-Institut) in Stuttgart, Germany. Tests passed for footballs, handballs and medicine balls.

Masonry frame MRDG STARK made of galvanised sheet steel. For additional information, see MRDG brochure L-02-1-10e.

Continuous grilles are not available.

Safety instructions

CAUTION!

Risk of injury from sharp edges and corners, ridges and thin-walled sheet metal parts!

- Proceed carefully with all work.
- Wear protective gloves, safety shoes and protective helmet.

DANGER!

Electric shock when touching live parts. Electrical equipment is under dangerous electrical voltage. Non-compliance may lead to death, serious physical harm or material damage!

- Only electrical specialists may work on electrical components.
- Switch off the power supply voltage prior to electrical work.

WARNING!

Risk of injury due to insufficient qualifications!
Improper handling may lead to considerable personal harm or material damage.

- All activities may only be carried out by suitably qualified staff.

Realisation

Ball protection grilles type BSDGVAR are diffusion grilles made of steel with a non-protruding ball-protection frame made of powder-coated aluminium according to RAL 9010 with a motor-powered temperature-dependent jet deflection.

Ball protection grilles type BSDGLVAR are diffusion grilles made of aluminium with a non-protruding ball-protection frame made of colourless anodised aluminium with a motor-powered temperature-dependent jet deflection.

For additional information, see DGVAR brochure L-02-3-01e.

Ball protection grilles type BSDGSELF are diffusion grilles made of steel with a non-protruding ball-protection frame made of powder-coated aluminium according to RAL 9010 with a thermal expansion powered jet deflection.

Ball protection grilles type BSDGLSELF are diffusion grilles made of aluminium with a non-protruding ball-protection frame made of colourless anodised aluminium with a thermal expansion powered jet deflection.

For additional information, see DGSELF brochure L-02-3-10e.

WARNING!

Danger from incorrect use. Misuse of the product may lead to dangerous situations.

The product must not be used:

- in areas subject to explosion hazards;
- in the open air without sufficient protection against weather effects;
- in atmospheres that may have a damaging and/or corrosive effect on the product due to scheduled or unscheduled chemical reactions.

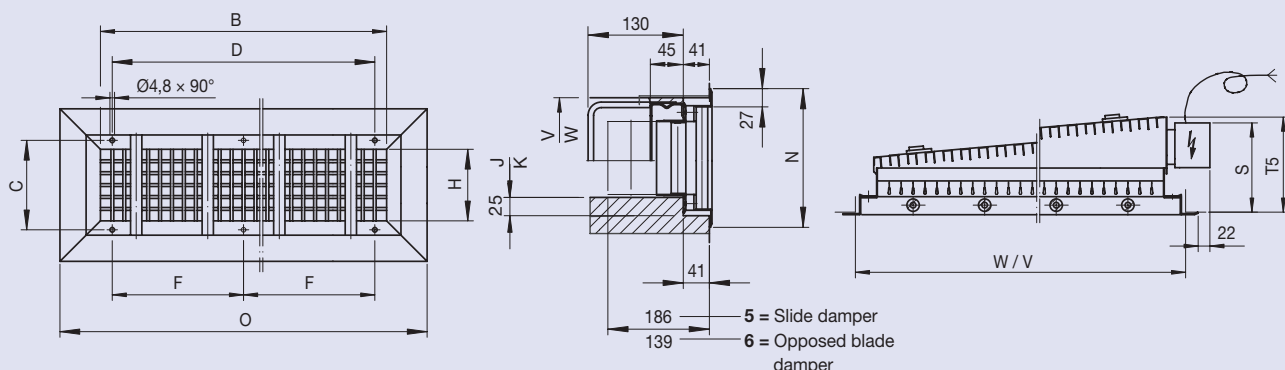
CAUTION!

Damage to the product due to improper handling. Check the device for damage and contamination prior to operation!

Improper handling may lead to considerable material damage of the product.

- Do not use any acid or abrasive cleaning agents.
- Adhesives from sticky tape may lead to colour damage.
- Excessive moisture may lead to colour damage and corrosion.
- Use only cleaning agents, greases and oils that are expressly specified.

Dimensions type BSDG(L)VAR and BSDG(L)SELF



Realisation · Dimensions

B	D	F	O	K	W	T5
[mm]	[mm]	[mm]	B + 97 [mm]	B + 25 [mm]	B + 60 [mm]	[mm]
600	567	283.5	697	625	660	151
750	600	300	847	775	810	171
900	283.5 +300.0 +283.5	-	997	925	960	191

H	C	N	J	V	S
[mm]	[mm]	H + 97 [mm]	H + 10 [mm]	H + 60 [mm]	[mm]
200	225	297	210	260	149
250	275	347	260	310	164

Realisation

Ball protection grilles type BSDGR(A)VAR are diffusion grilles made of steel with a non-protruding ball-protection frame for duct installation made of grey powder-coated steel according to RAL 7037 with a motor-powered temperature-dependent jet deflection.

Ball protection grilles type BSDGRL(A)VAR are diffusion grilles made of colourless anodised aluminium with a non-protruding ball-protection frame for duct installation made of grey powder-coated steel according to RAL 7037 with a motor-powered temperature-dependent jet deflection.

For additional information, see DGVAR brochure L-02-3-01e.

Ball protection grilles type BSDGR(A)SELF are diffusion grilles made of steel with a non-protruding ball-protection frame for duct installation made of grey powder-coated steel according to RAL 7037 with a thermal expansion powered jet deflection.

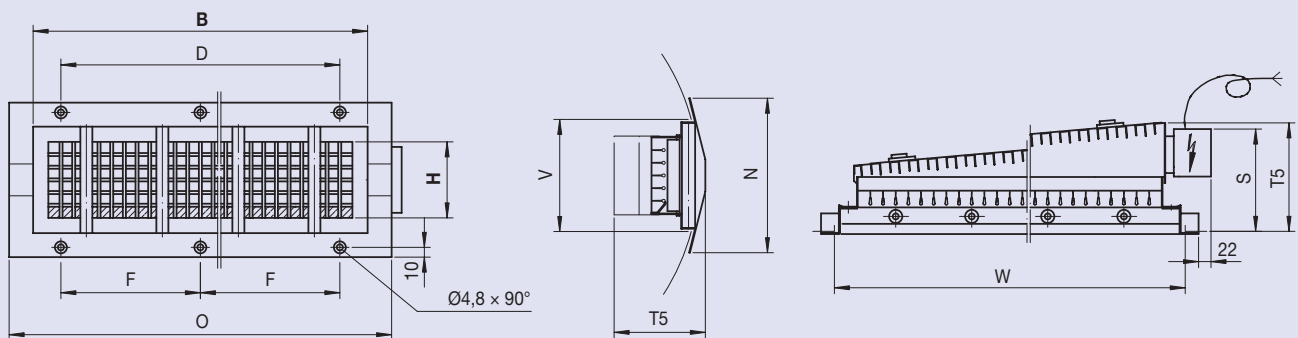
Ball protection grilles type BSDGRL(A)SELF are diffusion grilles made of colourless anodised aluminium with a non-protruding ball-protection frame for duct installation made of grey powder-coated steel according to RAL 7037 with a thermal expansion powered jet deflection.

For additional information, see DGSELF brochure L-02-3-10e.

Note

Grille must be attached to the duct with screws.

Dimensions type BSDGR(A)VAR, BSDGR(A)SELF, BSDGR(L)AVAR and BSDGR(L)ASELF



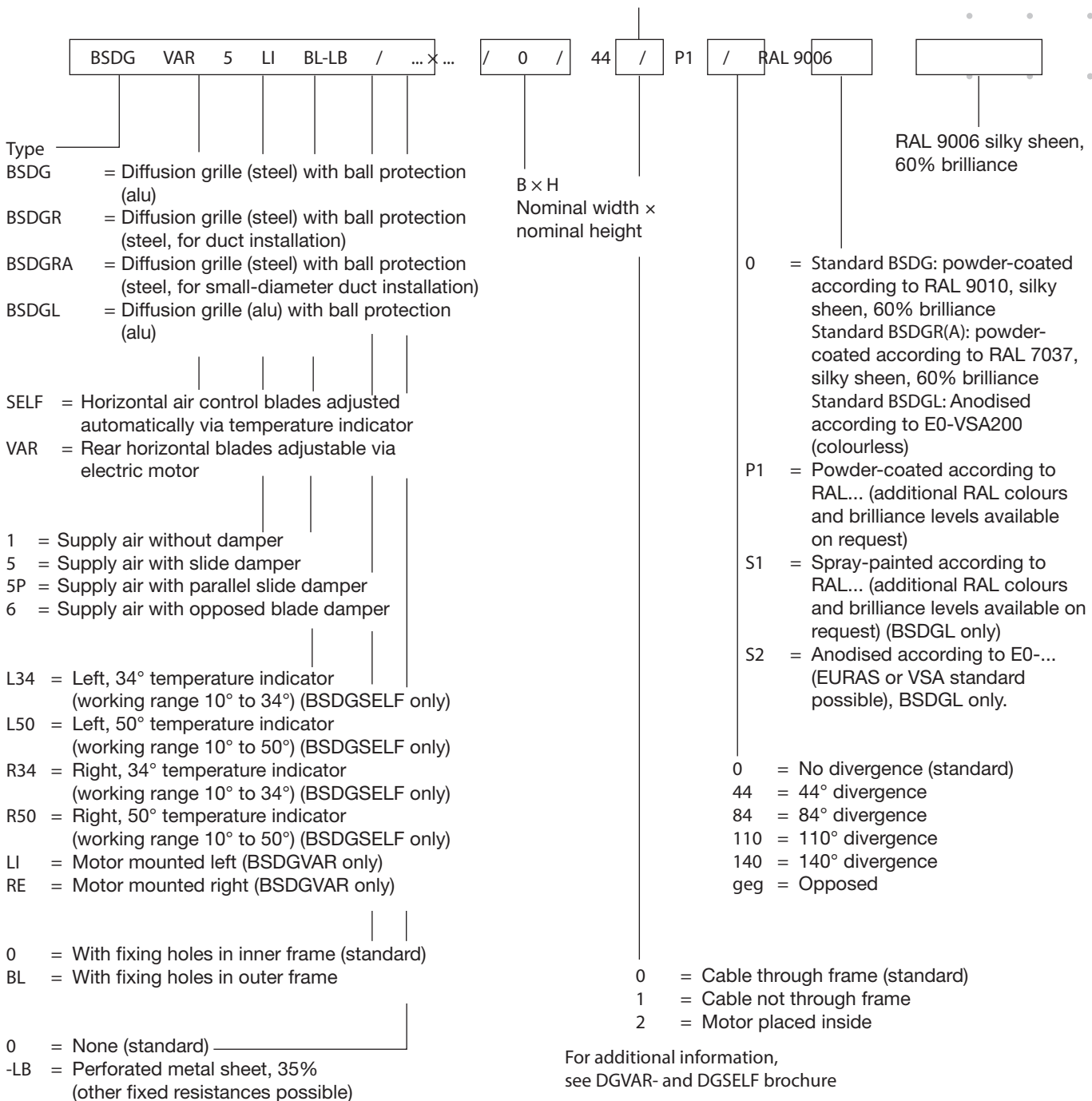
B	D	F	O	W
Nominal width [mm]	[mm]	[mm]	B + 100 [mm]	B + 80 [mm]
600	567	283.5	700	680
750	717	358.5	850	830

H	N	V	S	T5	
Nominal height [mm]	H + 100 [mm]	H + 60 [mm]	[mm]	B = 600 [mm]	B = 750 [mm]
100	200	160	245	158	178
150	250	210	251	160	180
200	300	260	149	165	185
250	350	310	154	170	190

Order details

Order codes

No details for standard products



Order examples

10 off BSDGVAR5LI BL / 600×150 / 0 / 44 / P1 / RAL 9006 silky shine 60% gloss level